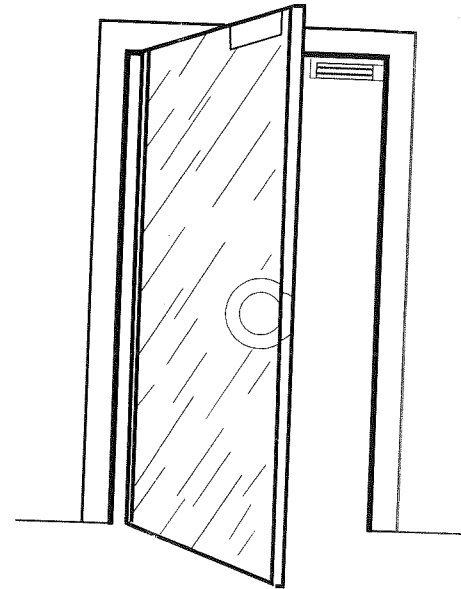
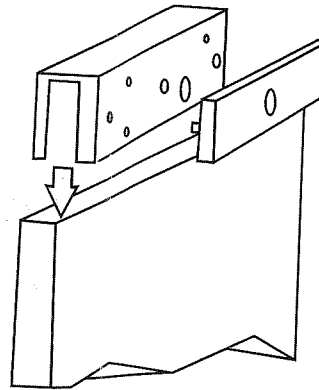
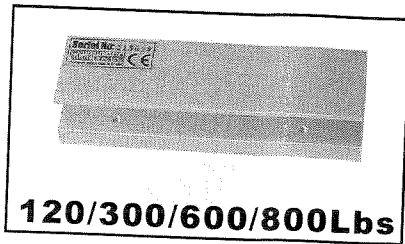


BRACKET FOR LOCKS



EMC
tested



- For frameless glass door
- 8-15mm thickness for glass
- Out-opening or in-opening door applications
- Applicable to Electromagnetic locks series