


COMPACT ELECTROMAGNETIC BOLT

CEB200

- Fail secure or fail safe
- Dual voltage 12-24V DC
- Position contact open/closed door
- Status contact locked/unlocked door

PRODUCT FEATURES

	12-24V DC		300-150 mA
	état: 125V AC-3 A		42
	position: 30V AC/DC-0,5 A		200*

*Maximal theoretical holding forces, for an implementation meeting the optimum laying conditions

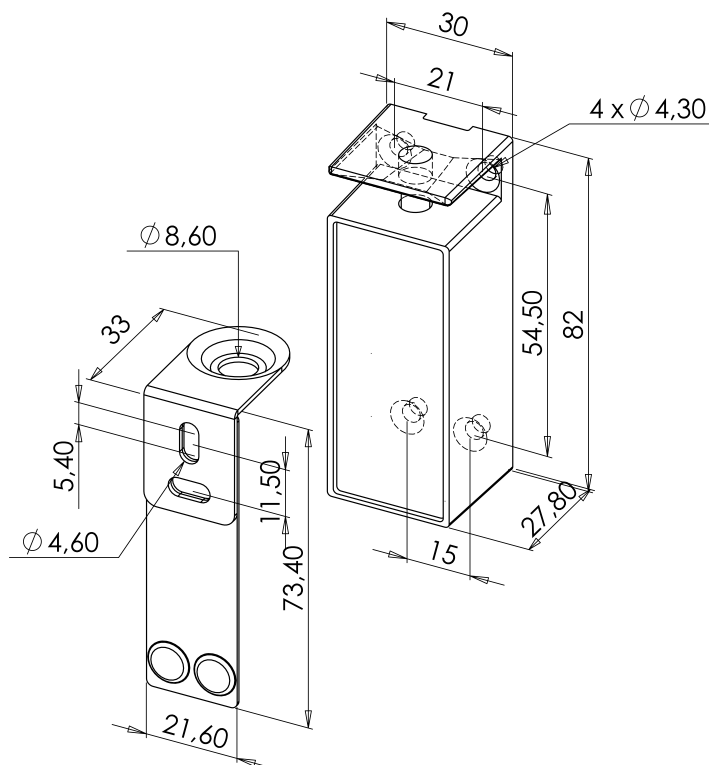


CEB200



Special furnishing; for swinging or sliding doors

Item Code	Description	Weight in kg	Custom code
CEB200	Compact electromagnetic bolt fail safe / fail secure - 12-24V DC 2 contacts - 200 DaN	0,2	83014019



CEB200

