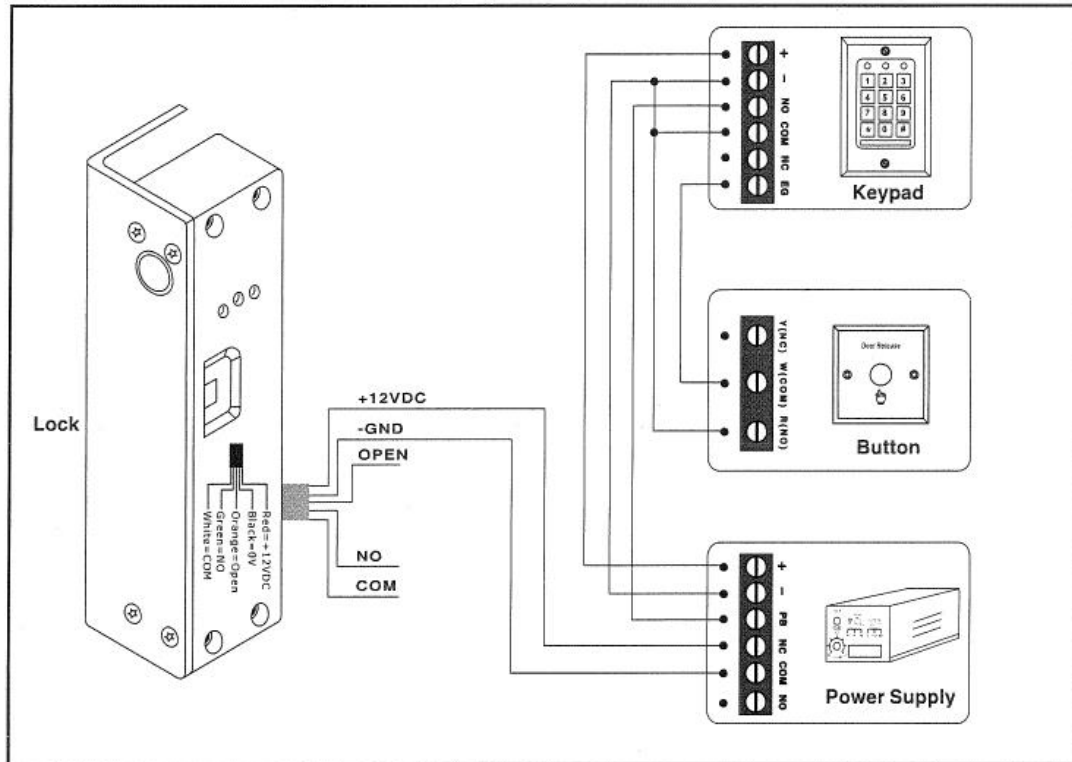


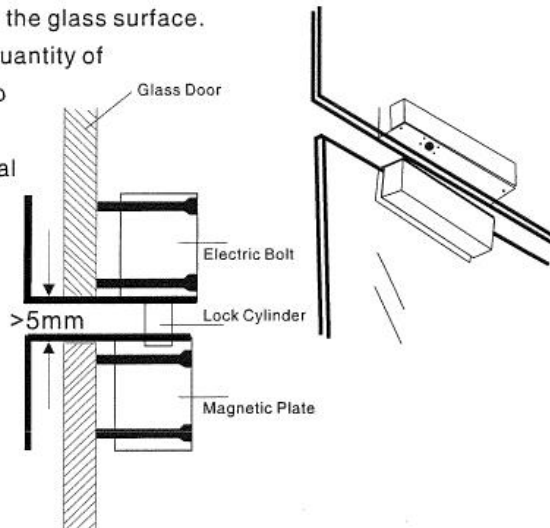
WIRING DIAGRAM



INSTALLATION SCHEMATIC

Steps:

1. Ensure the installation position, clean the glass surface.
2. Fix the spacer inside the U bracket, quantity of spacer can be increased according to the thickness of glass.
3. Paint the glass cement on the internal sideway of the under-part bracket.
4. Srew the bracket by the Allen key.



Attentions:

1. It is specially for the 180 degree in-swing and out-swing frameless glass door.
2. The thickness of glass door is 10-12mm
3. The gap between the down-bracket and electric bolt is : 5-8mm.

Electric Bolt For Fully Frameless Glass Electric Bolt Door Diagram

FUNCTION

This is the self contain device whose securing element, the bolt is directly moved by a solenoid. The voltage used can be 12VDC or 24VDC optional. There is LED light indicator to show the status of lock and to show the status of doors. The delay timer can be set 0/3/6/9 seconds.

INSTALLATION

1. Please read the specification before installation, Please also check the all the accessories and go through the wiring diagram.
2. The product contains 2 parts, which are lock body and strike. The gap between the lock body and the hole of the strike plate.
3. There are 5 types of wires, Red---(+), Black---(-), Orange---(OPEN), Green---(NO), White---(COM)
4. Setting of wiring diagram, please refer to picture 2.
5. Setting of delay time, 0/3/6/9 second, please refer to picture 1.

PARAMETERS

- Voltage : DC12V±10%
- Current : Start current is 960mA, Standby current: 180mA
- Open-Contact : Connect RED and ORANGE together
- LED: RED when the bolt being withdraw, GREEN when the bolt being projected
- Auto lock time delay : 0/3/6/9 second
- Bolt : Stainless steel, 13mmDIA, 16mm throw
- FACE PLATE: 150Lx41.5Wx36.5H(mm)

