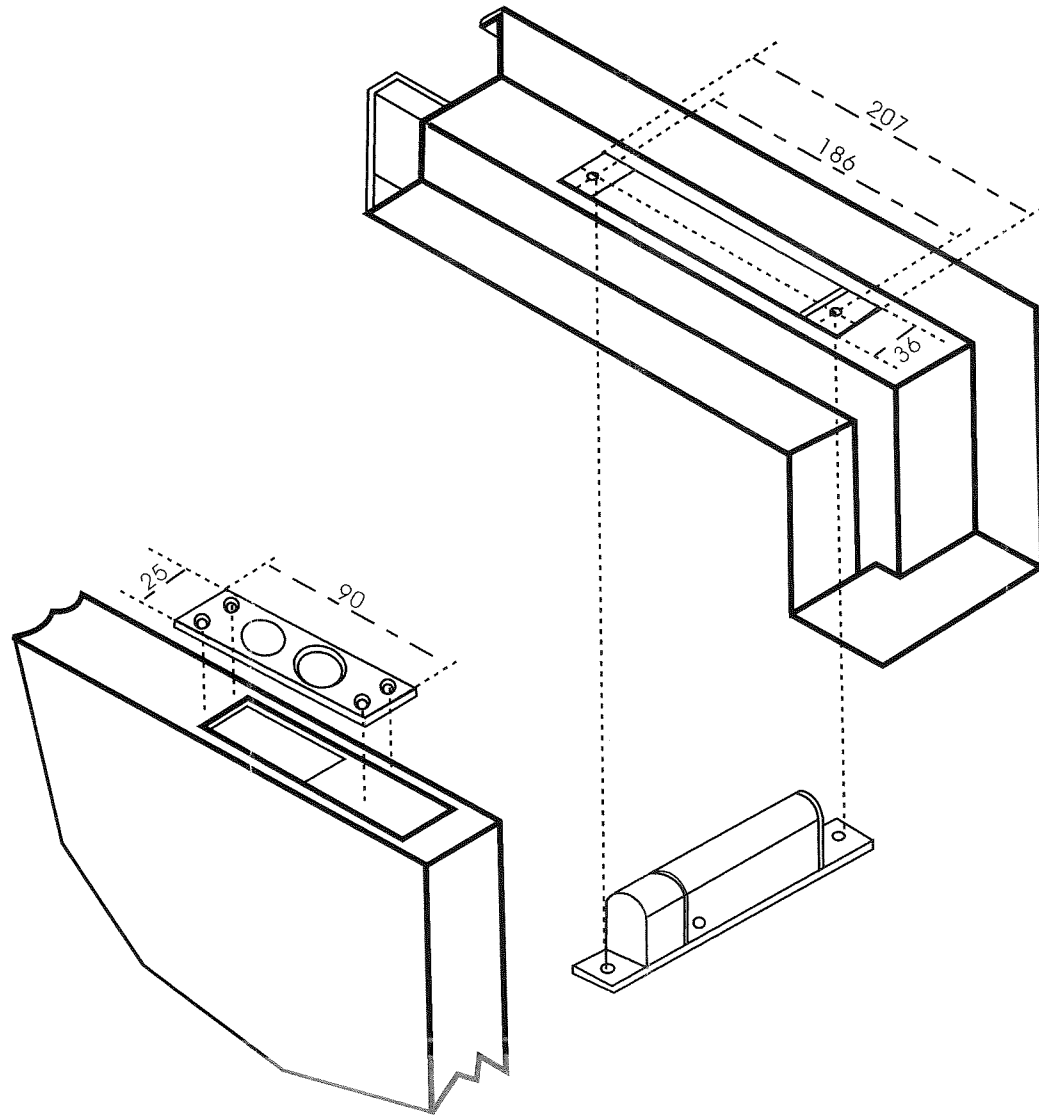


ELECTRIC BOLT



low temperature standard electric bolt

1. Specification:

standard voltage: 12VDC 1A

Red---Positive (+) Black---negative (-)

voltage: start 950mA. Standby 100mA.

solenoid: super low temperature continuous duty.

fail safe: locked when energized, power to locked, fail unlocked.

protecting designed:

Bolt dimension : 16mm DIA , stainless steel : 16mm throw.

cutout : 207mm(L)x36mm(W)(40mm back set minimum must be present)

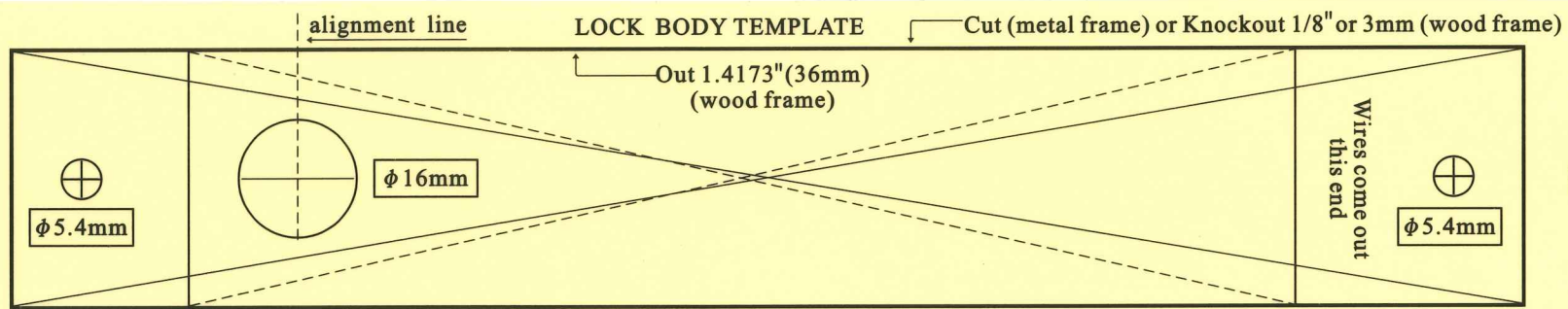
cover plate : 215mm(L)x41mm(W)x0.5mm(D).

face plate : 205mm(L)x35mm(W) x3mm (D)

The excellence of our electric bolt

1. excellent designed , solid and durable , 100% safe.
2. up to date design , super low use , continuously work.
3. low temperature design ; more safe , credible , durable.
4. professional electrical locks , excellent manufacture.
5. authoritative attestation : MA , CE
6. high grade material , exquisite producing , warranty : 2 years.
7. products are popular in the world , and cooperate with great manufactures.

Drill 5mm
hole



Note-for vertical mounting, wires must come out from the top of the unit. →