

# MOUNTING ACCESSORIES

for VELMAG® surface electromagnetic locks EF300

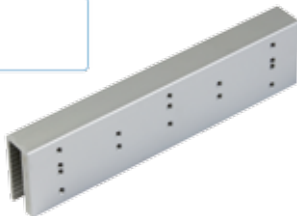
- Without fixing traversing door
- U brackets in common with EF300 and EF550 series



High strength aluminium type 6061/T6



EF300SCP

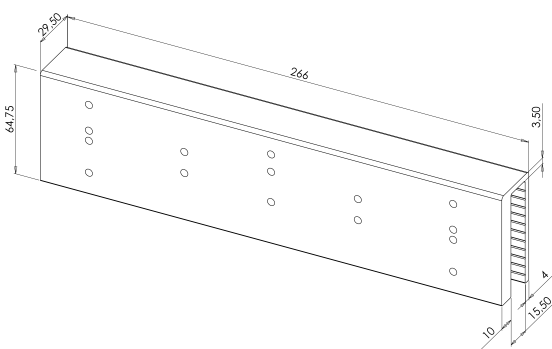


EF300\_550UL

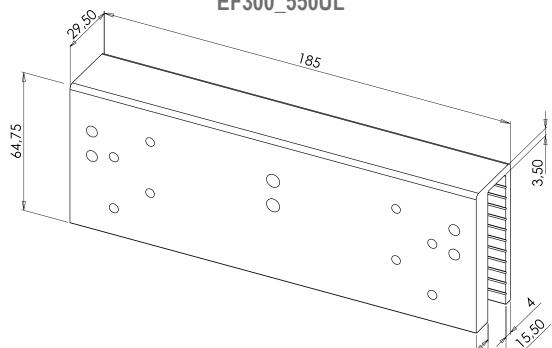


EF300\_550UZAP

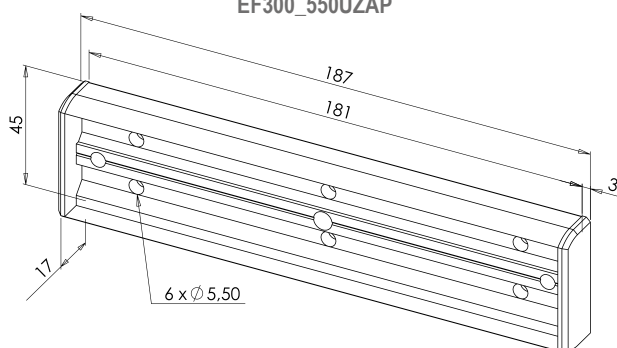
| Item Code     | Description  | Weight in kg | Custom code |
|---------------|--|--------------|-------------|
| EF300SCP      | Mounting set for armature plate EF300 range                      | 0,2          | 83014019    |
| EF300_550UZAP | U-Mounting sleeve for glass doors in combination with EF300_550Z | 0,52         | 83014019    |
| EF300_550UL   | U-Mounting sleeve for glass doors in combination with EF300_550L | 0,74         | 83014019    |



EF300\_550UL



EF300\_550UZAP



EF300SCP

