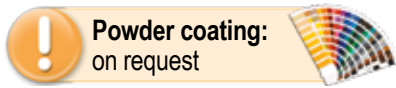


MOUNTING ACCESSORIES

for VELMAG® surface electromagnetic locks EF550

- Improves aesthetics of installation
- Customizable in all RAL colors
- Mounting on pulling or pushing doors
- Aluminium end caps (EF550C/AEC)

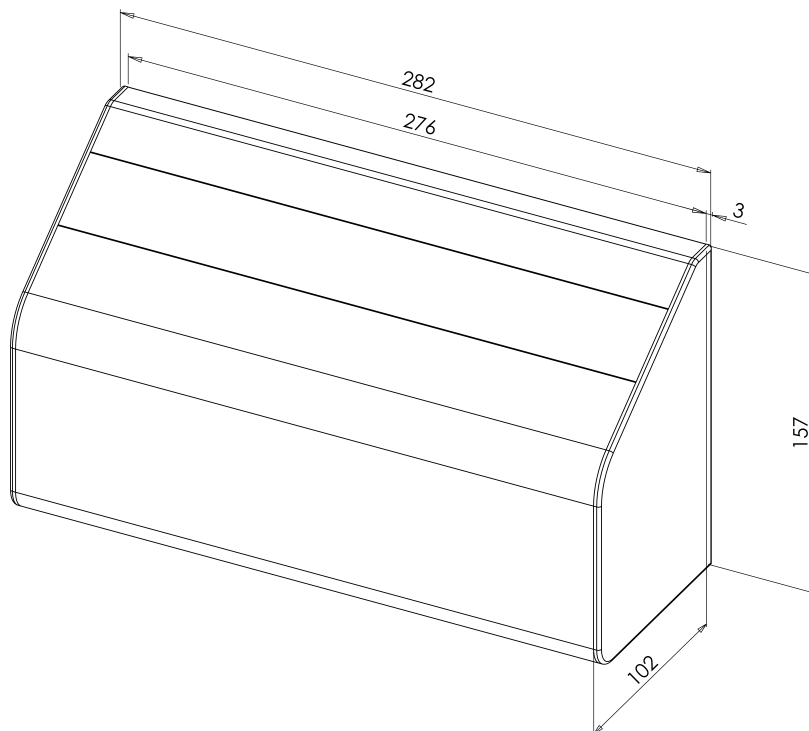


EF550C



EF550C/AEC

Item Code	Description	Weight in kg	Custom code
EF550C	Aluminium cover for EF550L + EF300/550Z - with plastic end caps natural anodizing	0,9	83014019
EF550C/AEC	Aluminium end caps for EF550C natural anodizing	0,3	83014019



EF550C

