

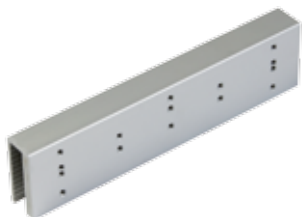
# MOUNTING ACCESSORIES

for VELMAG® surface electromagnetic locks EF550

- Without fixing traversing door
- U brackets in common with EF300 and EF550 series



EF550SCP



EF300\_550UL

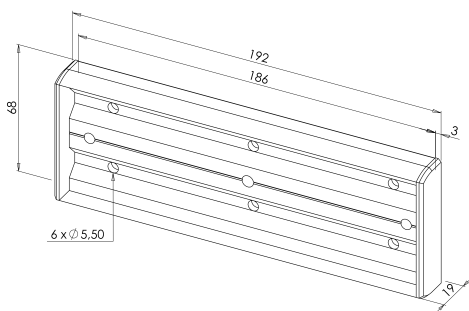


EF300\_550UZAP

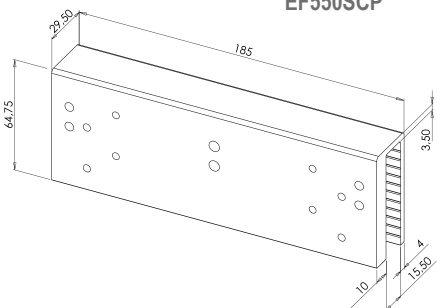


High strength aluminium type 6061/T6

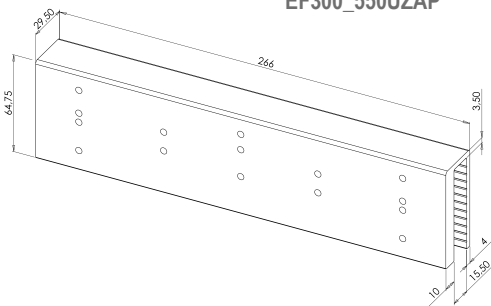
Item Code	Description	Weight in kg	Custom code
EF550SCP	Mounting set for armature plate EF550 range	0,3	83014019
EF300_550UZAP	U-Mounting sleeve for glass doors in combination with EF300_550Z	0,52	83014019
EF300_550UL	U-Mounting sleeve for glass doors in combination with EF300_550L	0,74	83014019



EF550SCP



EF300\_550UZAP



EF300\_550UL

