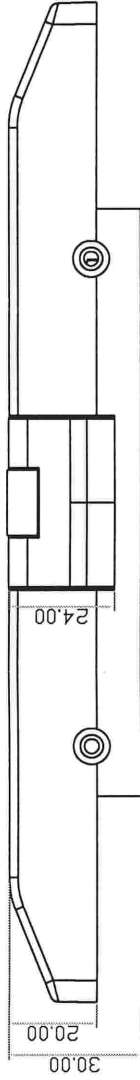
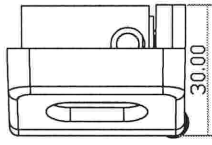
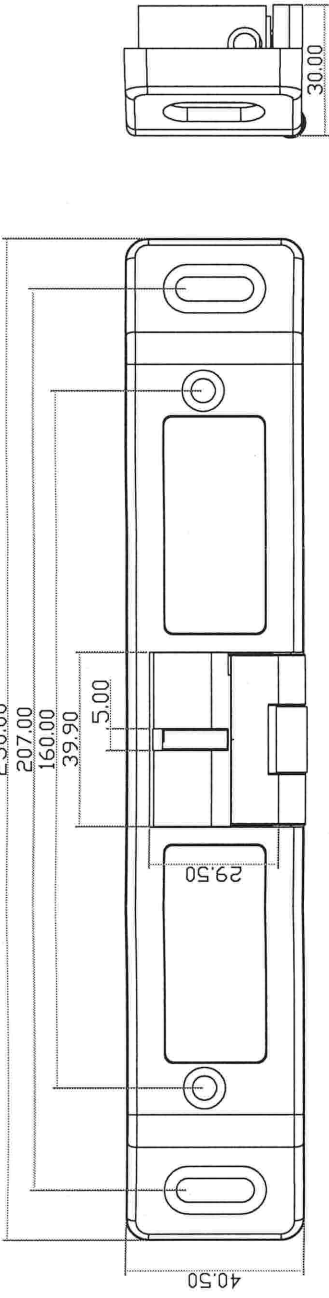




# Electric Strike for Push Bar

## SPECIFICATION

- Dimension: 230L\*40.5W\*30H(mm)
- Voltage: 12V DC(24V DC Customized)
- Current: 12V/320mA±20%; 24V/200mA±20%
- Bolt Material: Harden 304 Stainless Steel
- Feature: Fail Safe / Fail Secure adjustable
- Signal Output: Lock sensor & Door sensor (NO/NC/COM)
- Suitable for: European & American fire push bar
- Special design: Applies to all brands of fire push rod lock
- Weight: 0.75kg



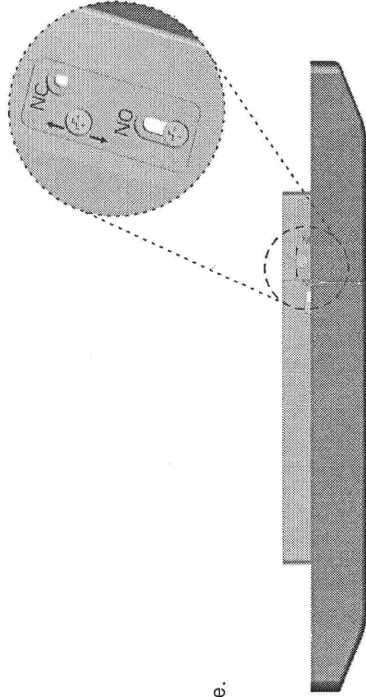
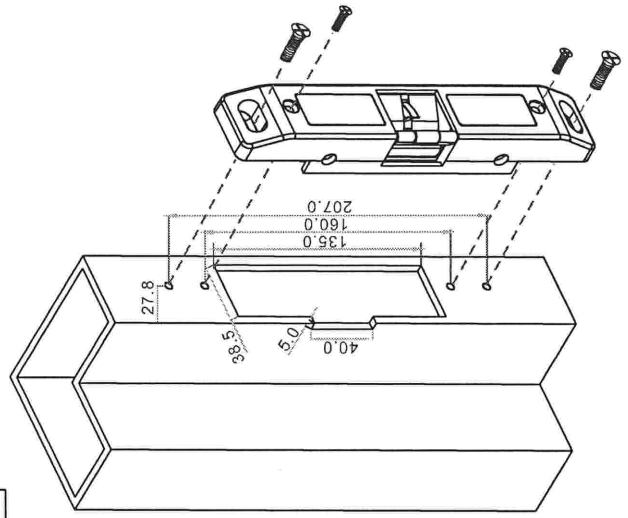
- Green: NO
- White: COM
- Yellow; NC
- Blue: NO
- Grey: COM
- Orange: NC
- Red: +
- Black: -

### Door Status

- N.C. contact output : open status
- N.O. contact output : closed status

### Locked or Unlocked Status

- N.O. contact output : unlocked status
- N.C. contact output : locked status



You can set the operation mode of Fail Safe or Fail Secure. Loosen the screw and tighten it in the other hole. Fail Safe(NC): When power off, the door is in the open status. Fail Secure(NO): When power off, the door is in the closed status.