

## STAINLESS STEEL SURFACE ELECTROMAGNETIC LOCK 530 DaN

• Product status sensor : CTC model

EB8

### CHARACTERISTICS

	<b>Electromagnet :</b>	62 x 222 x 42
	<b>Armature Plate :</b>	61 x 185 x 16,5
	12-24V DC	500/250 mA
<b>PRODUCT STATUS SENSOR (REED) :</b>		Locked / Unlocked
	67	
	530*	
		max. 24V DC / 1 A

\* Maximal theoretical holding force for implementation fulfilling optimal installation conditions.



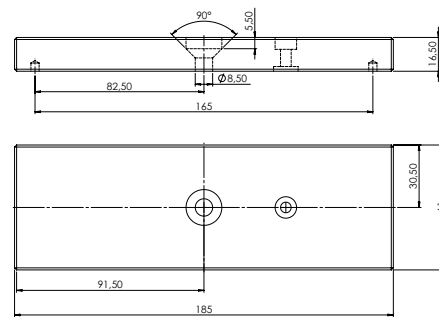
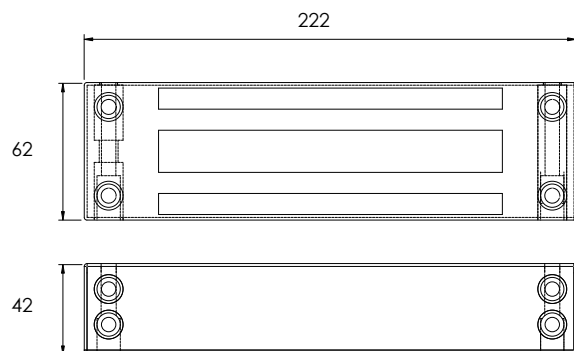
EXT750CTC

## SURFACE ELECTROMAGNETIC LOCK STAINLESS STEEL 530 DaN

EXT750CTC

Surface electromagnetic lock stainless steel 530 DaN 12-24V DC outdoor use + contact

5,2 kg



## ACCESSORIES

### ADJUSTABLE L BRACKET FOR EXT750CTC

EXT750L

Adjustable L bracket for EXT750CTC

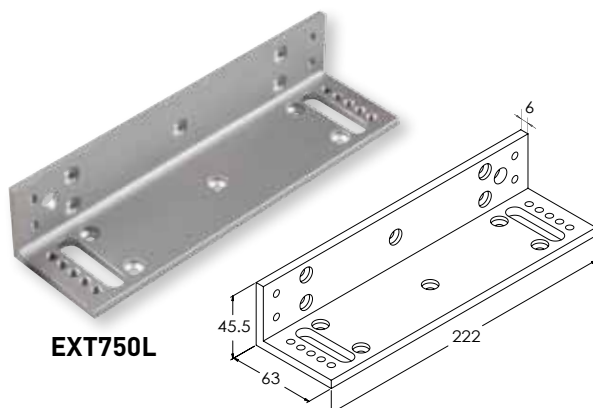
0,4 kg

### ADJUSTABLE Z BRACKET FOR EXT750CTC

EXT750Z

Adjustable Z bracket for EXT750CTC

0,8 kg



EXT750Z

