

JA-110A II Bus internal siren with battery back-up

The JA-110A II siren is a component of the **JABLOTRON 100+** system. It is used for alarm indication inside a building with the possibility to distinguish between types of alarm with different types of indications. It can also be used for other acoustic indications (PG outputs, entry/exit delays, a doorbell). Pressing a button on the siren can silence the alarm indication in progress (which can also confirm somebody's presence on the premises or trigger a panic alarm (optional function)). The siren takes one position in the system and should be installed by a trained technician with a valid certificate issued by an authorized distributor.

Installation

The siren can be installed directly on a plaster wall or into a special enclosure. The siren contains front and rear tamper contacts.

If you plan to connect the siren to a cable longer than 100 m, we recommend using the BAT-3V2-CR2 back up battery (not included) which is able to level loss of voltage. This way the siren can sustain the alarm sound level stated in the technical specifications.

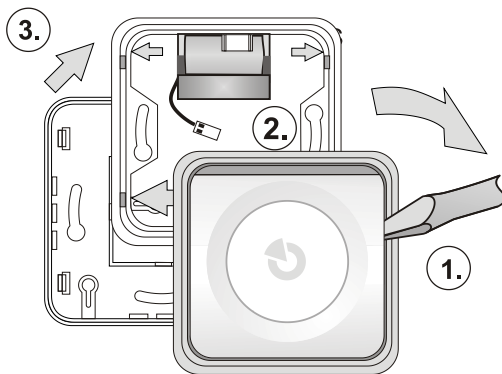


Figure 1: Disassembly of the siren before installation

1. Remove the body (buttons) from the plastic frame by pressing on a side of the body (1.) using a screwdriver as shown in figure 1.
2. Remove the middle part of the frame (3.) by pushing the 4 tabs indicated by arrows (2.).
3. Push the BUS cable through a designated rectangular recess in the plastic base.
4. Attach the plastic base to the selected place using screws. If the siren uses a battery, place it underneath the top side of the plastic base as shown in figure 1.
5. Assemble the plastic frame with the plastic base which will fix the battery in position.



Connect the siren to the BUS only when the control panel's power supply is completely disconnected.

6. Connect the BUS cable to the terminals (6.) as shown in the figure 2. When using a battery, connect it to the battery connector (8.).
7. Insert the body (buttons) the plastic frame. Attention, the tamper sensors (7) must be positioned above the magnets in the plastic base.
8. Proceed by following the control panel installation manual. Basic instructions:
 - a. When the power supply is connected, the yellow LED (1) starts flashing to indicate the siren has not yet been enrolled into the system.
 - b. Open the **F-Link** software, select an unused position in the **Devices** tab and click on the **Enrol** button to launch the enrolment mode.
 - c. Click on **Scan/add new BUS devices**, select the JA-110A II siren from the list and double-click on it to confirm your selection. The yellow LED light (1.) switches off.

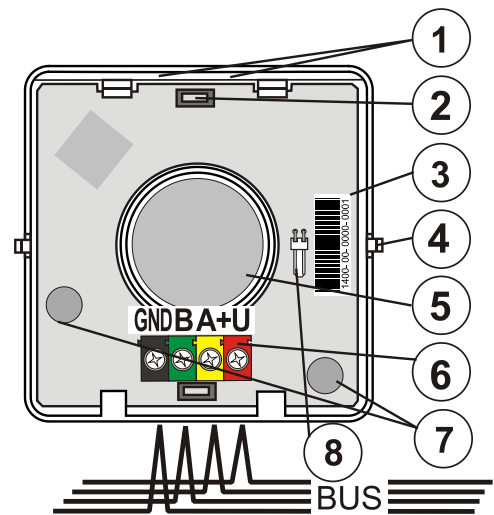


Figure 2: 1 – LED indicators; 2 – buttons; 3 – production number; 4 - button tabs; 5 - piezo-electric siren; 6 – BUS terminal; 7 – tamper sensors 8 – battery connector for BAT-3V2-CR2

Notes:

- The enrolment of the siren to the control panel is also possible by pressing a button (top or bottom). The siren enrolls to the system and the yellow LED switches off.
- Another option is entering the production code via the F-Link software. The production code is on a sticker with a bar code which is glued onto the rear side of the siren. All digits of the production number are required (example: 1400-00-0000-0001).
- If you want to remove the siren from the system, erase it from its position in the F-Link software.

Setting properties

Open the F-Link software, go to the **Devices** tab. Click on the **Internal settings** button at the siren's position to open a dialog window where you can set the following options: (* indicates default settings).

The Setting tab:

Acoustic indication of an intrusion alarm from sections: The selection of sections which should indicate an intrusion alarm via the siren. The default setting is the indication of an intrusion from all sections.

Reaction: Determines whether the siren should indicate **IW*** (internal warning) or **EW** (external warning) signals. Alarm indication with this siren can also be completely disabled (other functions remain active).

Siren sound: Intermittent*, Continuous

Maximum siren time: 1, 2, 3*, 4, 5 minutes and OFF – if the OFF option is selected then the acoustic indication corresponds with the **Alarm length** parameter in the F-Link **Parameters** tab.

Different fire alarm indication: YES/NO* - Determines whether the siren will differentiate between acoustic indications of fire and standard alarms. The indication of an acoustic fire alarm is identical to smoke detectors with internal sirens – fast beeping.

Other acoustic indication from sections: Selection determines which sections will indicate other types of alarm via the detector. Indication for all sections is enabled by default.

When controlled by a section: YES / NO* - If enabled, the siren beeps 1x after setting, 2x after unsetting and 3x times when unsetting after an alarm. It only does so for selected sections.

During warning: YES / NO* - when enabled, the siren reacts with three beeps to the inability to set the system, unsuccessful setting and unsetting with an active alarm memory.

Entry delay: YES / NO* - if enabled, the siren indicates the entrance delays of the selected sections.

Exit delay when partially set: YES / NO* if enabled, the siren indicates the exit delays of the selected sections when the system is set partially. This option is available only when the entrance delay of fully set sections is enabled.

Exit delay when fully set: YES / NO* if enabled, the siren indicates the exit delays of the fully set selected section.

Level of volume of supplementary acoustic indication: Standard*, Increased, By button, Programmable – Applies only to other acoustic indication and the acoustic indication of PG outputs. It has no influence on the volume of alarm indication. If the "By button" option is selected, the volume can be changed by a user by pressing the lower part of the siren for 3 seconds (when the system is out of Service mode) – the change of volume is confirmed by a beep and in the volume of the new selected volume.

JA-110A II Bus internal siren with battery back-up

The "Programmable" option displays time sliders which set a period of time to switch between the standard and increased loudness during the day.

The Signalling PG tab:

LED indicates sounding PG output: If enabled, acoustic indication is triggered by an active PG output is continuously indicated by LED.

Sound indication can be set for each PG output:

Slow beeping - beeps 1x per second (as long as the PG output is active).

Quick beeping – beeps 2x per second (as long as the PG output is active).

1x ON/2x OFF – beeps 1x when the PG is activated, beeps 2x when the PG is deactivated.

20 sec of beeping – beeps continuously for 20 secs when a PG output is activated.

Melodies 1 to 4 – available doorbell melodies

System reaction to pressing a siren button

By default, pressing the siren button during an alarm mutes the siren and concurrently confirms a person's presence in the building (the control panel sends a report). It is possible to change the siren button settings in the **Devices** window of the F-Link software to trigger a different reaction, for example a Panic alarm.

Settings in accordance with security grade 2

If security grade 2 is required, it can be configured by selecting **EN 50131, grade. 2** from **System profiles** located in the **Parameters** tab in the F-Link software. The device will be configured according to the selected standard.

Siren indication priority

Fire alarm indication has the highest priority followed by IW and EW alarm.

A lower indication priority belongs to interaction with the system (setting/unsetting...) followed by indication upon activation of PG outputs (PG1 has a higher priority than PG2 etc.). Indication with a higher priority always terminates indication with a lower priority.

Priority levels of acoustic indication in descending order: Fire alarm, IW/EW alarm, warning indication, unsetting the system with an active alarm memory indication, Setting/Unsetting, Entrance/Exit delay, alarm memory indication, PG output indication and finally, the siren flashes an LED light when the status of the tamper sensor changes.

Adding a battery to the siren

A battery is not factory-fitted in (the backup battery is optional). By default, the siren is supplied by a control panel BUS. The siren can be fitted with the **BAT-3V2-CR2** battery for these two reasons:

The first reason may be using a cable longer than 100 m which may lead to a low sound level due to loss of voltage. The battery prevents such loss. The second reason may be using it as a backup solution when the BUS power supply fails.

Connect the battery to the connector (8), the siren automatically detects it and performs diagnostics. The measured values are then displayed in the F-Link software.

The siren monitors its own battery status and informs a user (alternatively the service technician) when the battery is close to being depleted. The device continues in its function however it is recommended to replace the battery within 2 weeks.

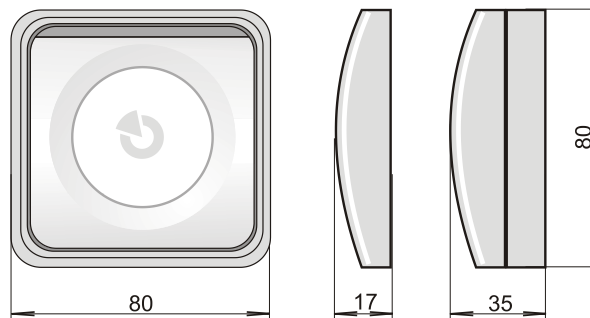
Use the BAT-3V2-CR2 type of battery specifically.

The battery should be replaced by a service technician while the control panel is in Service mode. Do not discard the battery in the trash; dispose of it at a waste collection point.

Note:

– If it is desired to operate the siren again without the battery, you must first disconnect it from the BUS, disconnect the battery, wait for 10 seconds and then reconnect the siren without the battery to the BUS. There will be a new initialization when the siren evaluates the operation without the battery.

Dimensions



Technical specifications

Power supply	12 V DC (9...15 V), from the BUS
Optional back up battery	BAT-3V2-CR2(400mAh)
Current consumption in standby mode (quiescent)	5 mA
Current consumption for cable choice (maximal)	120 mA
Type of warning device	type Z/12hr back-up
Siren	piezo-electric, 100 dB/m (±5 dB/m)
Dimensions	80 x 80 x 35 mm
Weight (with battery)	92 g
Classification	security grade 2/environmental class II (according to EN 50131-1)
Environment	Indoor general
Operating temperature range	-10 °C to +40 °C
Average operating humidity	75 % RH, without condensation
Complies with	EN 50131-1, EN 50131-4, EN 50130-4, EN 55032, EN 62368-1, EN 50581
Certification body	Trezor Test s.r.o. (no. 3025)



JABLOTRON ALARMS a.s. hereby declares that the JA-110A II is in a compliance with the relevant European Union harmonisation legislation: Directives No: 2014/35/EU, 2014/30/EU, 2011/65/EU. The original of the conformity assessment can be found at www.jablotron.com – The Downloads Section.

Note: Although this product does not contain any harmful materials we suggest you return the product to the dealer or directly to the producer after use.