

# The JB-118N BUS signal PG output module – 8 outputs

The JB-118N is a component of the JABLOTRON 100+ system. It provides eight opto-isolated outputs. It can serve for controlling optical indication devices, radio communicators or power relays. The module also provides current-limited output 12V. Outputs can be controlled with a programmable control panel (PG) output or according to the status of a section (set = output ON) or when there is an alarm in the selected section (alarm = output ON). It should be installed by a trained technician with a valid certificate issued by an authorized distributor.

## Installation

The module can be installed into the JA-19xPL mounting box (by Jablotron) or on a DIN rail using a suitable holder. In order to comply with the security grade 2 classification, the module must be installed into the JA-194PL or JA-195PL mounting box together with the JA-111H TRB module.

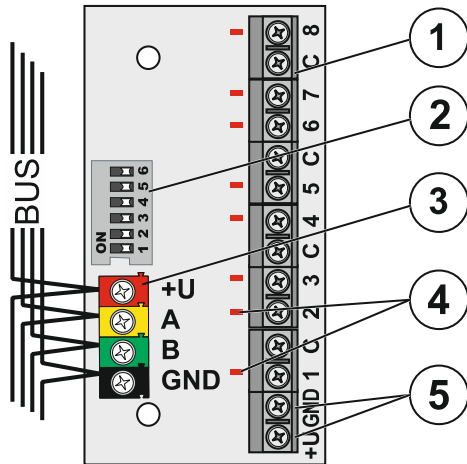


Figure: 1 – output terminals; 2 – configuration switch, 3 – BUS terminals; 4 – indicator LEDs; 5 – power output up to 100 mA

- Use the switch (2) to set the required number of the PG output or the number of the section to which control panel output (1) should react – see the configuration tables. The terminals (outputs) on the board will then react to the following PG outputs or system sections (according to their sequence).
- Connect BUS wires to the terminals (3).

**When connecting the module to the system BUS, always switch the power off.**



**If the module is installed outside the protected area, the JA-110T BUS insulator should be used for the external section of the wiring.**

- Switch on the system and test its functioning – a triggered output is indicated with a red LED indicator at the output (4).
- Terminals (outputs) 1 – 8 are triggered relative to the C terminals. The output through-current must not exceed 100 mA. Check the supply voltage at the BUS terminals (red, black) when all outputs including the connected devices are activated. The voltage must be at least 9V. All devices powered by the terminals (5) must be connected during this test.

### Notes:

- The module does not occupy any position in the control panel (it is not enrolled to the system).
- The configuration switch always sets the position for the output no. 1. It is set in steps of 8 (1, 9, 17, 25, ... 113, 121).
- Module terminals 2 to 8 are assigned according to the position selected on the configuration switch (e.g.: If PG9 is selected, then terminal 1 = PG9, 2 = PG10, 3 = PG11, ... 8 = PG16. The same rule applies to sections).
- If you enroll multiple modules with identical settings to the system, they will have the same reaction.
- The number of modules is only limited by the power consumption from the BUS.
- The setting of individual programmable outputs is done in the **PG outputs** window in the F-Link software. A detailed description of the setting is available in the control panel installation manual.
- If the output reacts to a setting of a section, it is triggered when the selected section is fully set.
- If the output reacts to an alarm, it is triggered when there is external or internal warning (EW or IW).
- A current of up to 100mA can be drawn from the +U terminals. If the current consumption is higher (overload), the voltage is disconnected. If the current consumption drops, the voltage is automatically reconnected.

## Technical specifications

Power	from control panel BUS 12 V DC (9 ... 15 V)
Current consumption	
outputs off/on	5 mA/10 mA
Current consumption for cable selection	10 mA
Maximum current from +U output (electronic fuse)	<100mA
(all connected devices must be included in current calculations)	
Maximum switched current / voltage for each output	100 mA/38 V
Dimensions	77 x 40 x 15 mm
Weight	26 g
Classification	Security grade 2/Environmental class II (according to EN 50131-1)
Only when installed into the JA-194PL or JA-195PL mounting box together with the JA-111H TRB module!	
Operational environment	indoor general
Operational temperature range	-10 °C to +40 °C
Average operational humidity	75 % RH, non-condensing
Certification body	Trezor Test s.r.o. (no. 3025)
Complies with	EN 50131-1 ed. 2+A1+A2, EN 50131-3, EN 50130-4 ed. 2+A1, EN 55032, EN 50581



JABLOTRON ALARMS a.s. hereby declares that the JB-118N is in a compliance with the relevant Union harmonisation legislation: Directives No: 2014/30/EU, 2011/65/EU, when used as intended. The original of the conformity assessment can be found at [www.jablotron.com](http://www.jablotron.com) – Section Downloads.

**Note:** Although this product does not contain any harmful materials we suggest you return the product to the dealer or directly to the producer after use.

DIP	Modul outputs							
	1	2	3	4	5	6	7	8
ON	PG	PG	PG	PG	PG	PG	PG	PG
1 2 3 4 5 6	1	2	3	4	5	6	7	8
ON	PG	PG	PG	PG	PG	PG	PG	PG
1 2 3 4 5 6	9	10	11	12	13	14	15	16
ON	PG	PG	PG	PG	PG	PG	PG	PG
1 2 3 4 5 6	17	18	19	20	21	22	23	24
ON	PG	PG	PG	PG	PG	PG	PG	PG
1 2 3 4 5 6	25	26	27	28	29	30	31	32
ON	PG	PG	PG	PG	PG	PG	PG	PG
1 2 3 4 5 6	33	34	35	36	37	38	39	40
ON	PG	PG	PG	PG	PG	PG	PG	PG
1 2 3 4 5 6	41	42	43	44	45	46	47	48
ON	PG	PG	PG	PG	PG	PG	PG	PG
1 2 3 4 5 6	49	50	51	52	53	54	55	56
ON	PG	PG	PG	PG	PG	PG	PG	PG
1 2 3 4 5 6	57	58	59	60	61	62	63	64
ON	PG	PG	PG	PG	PG	PG	PG	PG
1 2 3 4 5 6	65	66	67	68	69	70	71	72
ON	PG	PG	PG	PG	PG	PG	PG	PG
1 2 3 4 5 6	73	74	75	76	77	78	79	80
ON	PG	PG	PG	PG	PG	PG	PG	PG
1 2 3 4 5 6	81	82	83	84	85	86	87	88
ON	PG	PG	PG	PG	PG	PG	PG	PG
1 2 3 4 5 6	89	90	91	92	93	94	95	96
ON	PG	PG	PG	PG	PG	PG	PG	PG
1 2 3 4 5 6	97	98	99	100	101	102	103	104
ON	PG	PG	PG	PG	PG	PG	PG	PG
1 2 3 4 5 6	105	106	107	108	109	110	111	112
ON	PG	PG	PG	PG	PG	PG	PG	PG
1 2 3 4 5 6	113	114	115	116	117	118	119	120
ON	PG	PG	PG	PG	PG	PG	PG	PG
1 2 3 4 5 6	121	122	123	124	125	126	127	128

Table 1: Output 1 reacts to the PG output state.

# The JB-118N BUS signal PG output module – 8 outputs

DIP	Modul outputs							
	1	2	3	4	5	6	7	8
	SC	SC	SC	SC	SC	SC	SC	SC
	1	2	3	4	5	6	7	8
	SC	SC	SC	SC	SC	SC	SC	SC
	2	3	4	5	6	7	8	9
	SC	SC	SC	SC	SC	SC	SC	SC
	3	4	5	6	7	8	9	10
	SC	SC	SC	SC	SC	SC	SC	SC
	4	5	6	7	8	9	10	11
	SC	SC	SC	SC	SC	SC	SC	SC
	5	6	7	8	9	10	11	12
	SC	SC	SC	SC	SC	SC	SC	SC
	6	7	8	9	10	11	12	13
	SC	SC	SC	SC	SC	SC	SC	SC
	7	8	9	10	11	12	13	14
	SC	SC	SC	SC	SC	SC	SC	SC
	8	9	10	11	12	13	14	15
	SC	SC	SC	SC	SC	SC	SC	
	9	10	11	12	13	14	15	
	SC	SC	SC	SC	SC	SC		
	10	11	12	13	14	15		
	SC	SC	SC	SC	SC			
	11	12	13	14	15			
	SC	SC	SC	SC				
	12	13	14	15				
	SC	SC	SC					
	13	14	15					
	SC	SC						
	14	15						
	SC							
	15							

Table 2: Output 1 reacts to the setting of the selected section

DIP	Modul outputs							
	1	2	3	4	5	6	7	8
	AL	AL	AL	AL	AL	AL	AL	AL
	1	2	3	4	5	6	7	8
	AL	AL	AL	AL	AL	AL	AL	AL
	2	3	4	5	6	7	8	9
	AL	AL	AL	AL	AL	AL	AL	AL
	3	4	5	6	7	8	9	10
	AL	AL	AL	AL	AL	AL	AL	AL
	4	5	6	7	8	9	10	11
	AL	AL	AL	AL	AL	AL	AL	AL
	5	6	7	8	9	10	11	12
	AL	AL	AL	AL	AL	AL	AL	AL
	6	7	8	9	10	11	12	13
	AL	AL	AL	AL	AL	AL	AL	AL
	7	8	9	10	11	12	13	14
	AL	AL	AL	AL	AL	AL	AL	AL
	8	9	10	11	12	13	14	15
	AL	AL	AL	AL	AL	AL	AL	
	9	10	11	12	13	14	15	
	AL	AL	AL	AL	AL	AL		
	10	11	12	13	14	15		
	AL	AL	AL	AL	AL			
	11	12	13	14	15			
	AL	AL	AL					
	12	13	14	15				
	AL	AL	AL					
	13	14	15					
	AL	AL						
	14	15						
	AL							
	15							

Table 3: Output 1 reacts to an alarm in the selected section