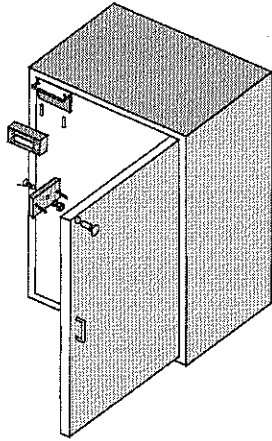
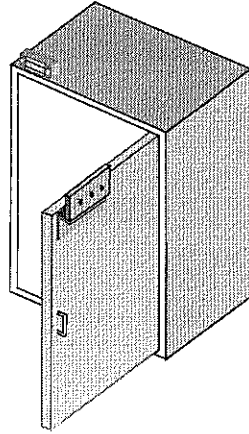


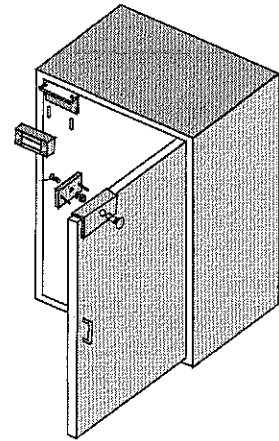
## Installation



Demonstration of Standard Installation



Demonstration of Z Bracket Installation

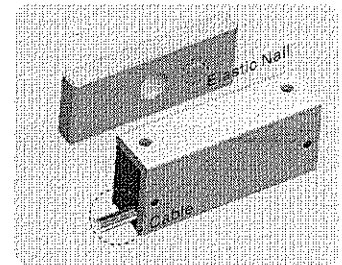


Demonstration of UL Bracket Installation

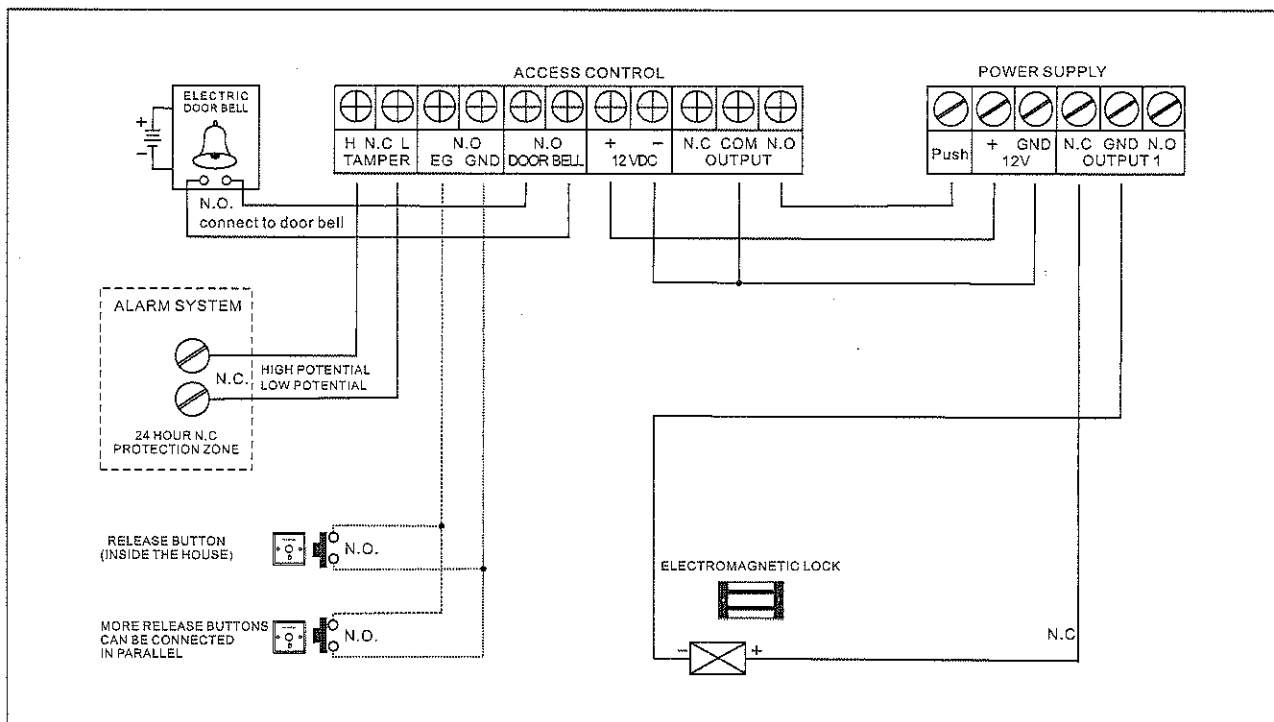


### Caution:

- A. The screw of armature plate should not be fixed too tight. Proper elasticity should be guaranteed for the rubber ring so that the armature plate can adjust itself to the appropriate position.
- B. Please keep the surface of the lock clean, or the force will be reduced because of the dust, glue or scotch tape on it.
- C. Installation for magnetic lock with signal output: direction of armature plate, elastic nail shouldn't be on the same side with hole(see chart)



## Wiring Diagram

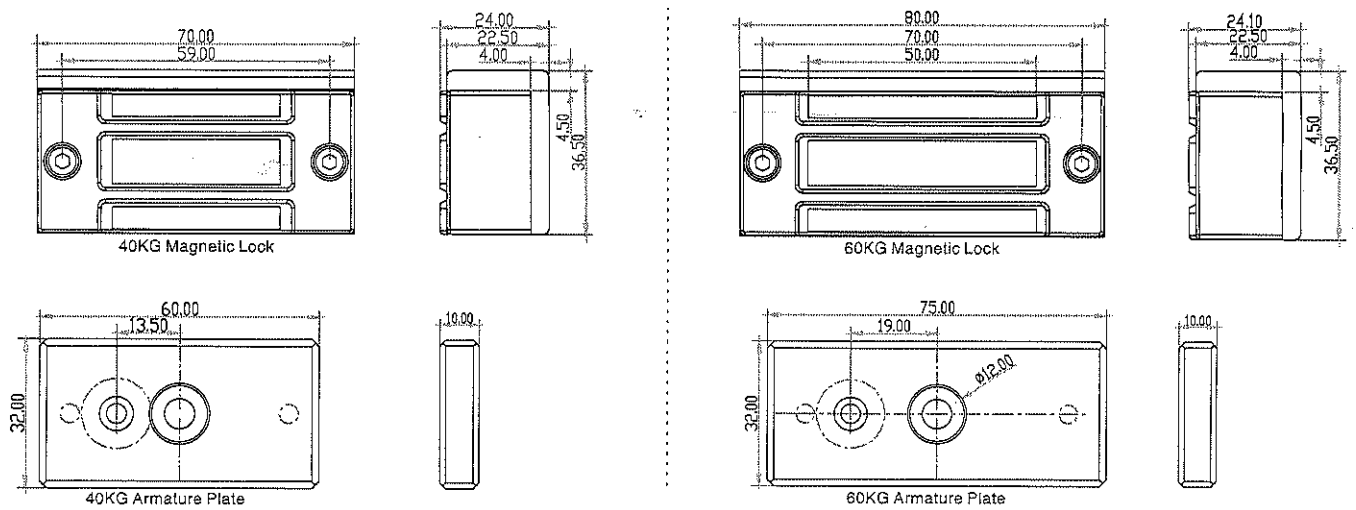


# Mini Magnetic Lock

## Specification

Model	40KG MINI magnetic lock	60KG MINI magnetic lock	60KG MINI magnetic Lock with signal
Dimension	70Lx36.5Wx24H(mm)	80Lx36.5Wx24.1H(mm)	80Lx36.5Wx24.1H(mm)
Armature plate	60Lx32Wx10H(mm)	75Lx32Wx10H(mm)	75Lx32Wx10H(mm)
Voltage	DC 12V/24V	DC 12V/24V	DC 12V/24V
Current	12V/160mA; 24V/80mA	12V/160mA; 24V/80mA	12V/160mA; 24V/80mA
Holding force	40kg(88Lbs)	60kg(120Lbs)	60kg(120Lbs)
Signal output	NO	NO	Lock signal(NO/COM)
Suitable for	File cabinet, Display cabinet	File cabinet, Display cabinet	File cabinet, Display cabinet
Cover finish	Anodized aluminum	Anodized aluminum	Anodized aluminum
Operating temp	-10~+55°C(14-131F)	-10~+55°C(14-131F)	-10~+55°C(14-131F)
Weight	0.35kg	0.5kg	0.5kg

## Dimension (Unit:mm)



## Circuit board diagram

