





## 3 ROUREG™ CONTACT

- Fail safe (power to lock)
- with microswitch (door status sensor)



### CHARACTERISTICS

GC6



	79,8 x 20,5 x 29,5	
		
12V DC	200 mA	
24V DC	120 mA	
	125V AC - 0,1 A / 12V DC - 2 A	

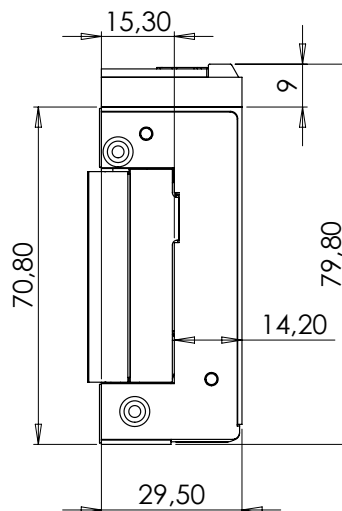
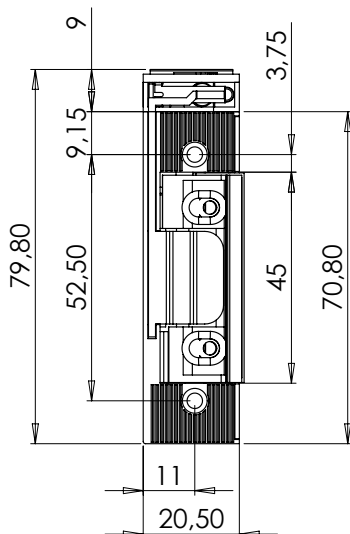


## 3 ROUREG™ CONTACT

<b>SE000303</b>	Electric strike 3 ROUREG 12V DC + contact fail safe	 0,2 kg
<b>SE000304</b>	Electric strike 3 ROUREG 24V DC + contact fail safe	 0,2 kg

## 3 ROUREG™ DIODE CONTACT

<b>SE000309</b>	Electric strike 3 ROUREG diode 12V DC + contact fail safe	 0,2 kg
<b>SE000310</b>	Electric strike 3 ROUREG diode 24V DC + contact fail safe	 0,2 kg



CONTACT