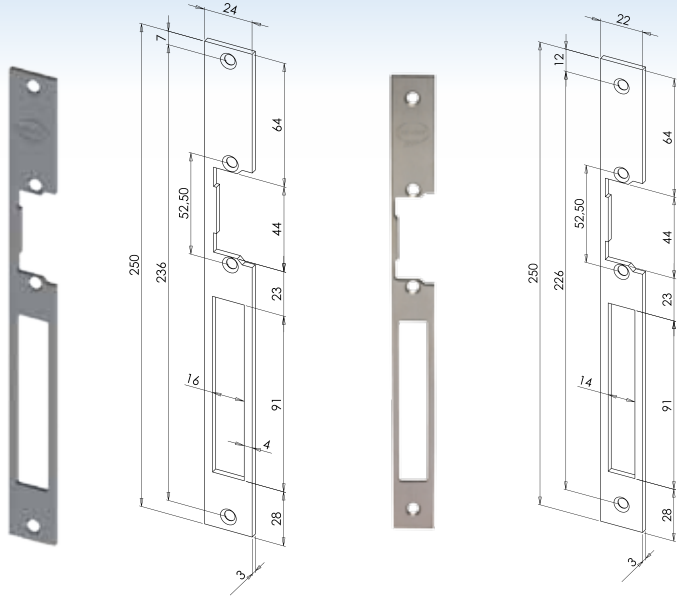


FACE PLATES AND ACCESSORY FOR ROUREG™ ELECTRIC STRIKES

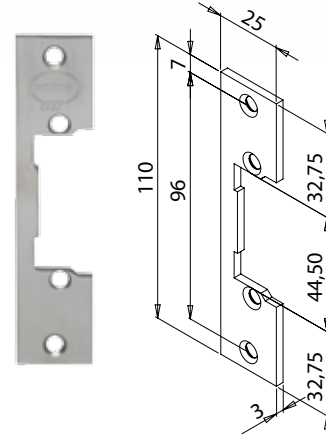
LONG REVERSIBLE FACE PLATES



SEF203 250 mm - 1 hole
Stainless steel 0,1 kg

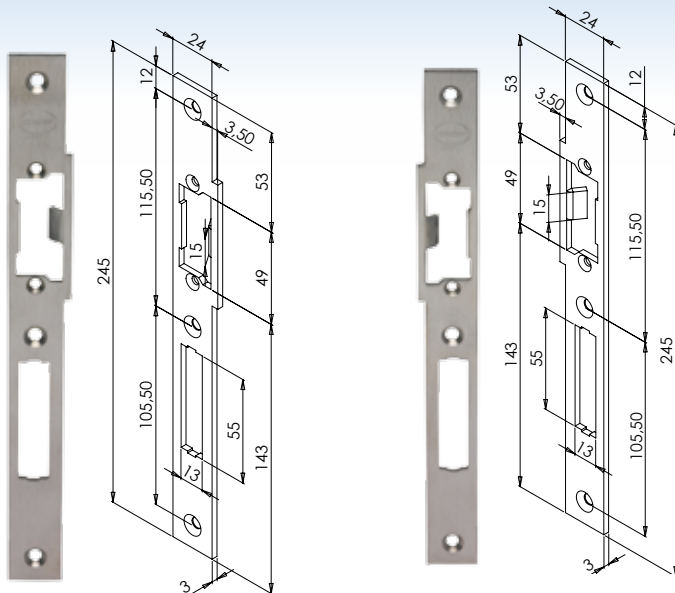
SEF202 250 mm - 1 hole
Stainless steel 0,1 kg

SHORT REVERSIBLE FACE PLATE



SEF301 110 mm - 1 hole
Stainless steel 0,1 kg

LONG FACE PLATES WITH LATCH GUIDE



0,1 kg

0,01 kg

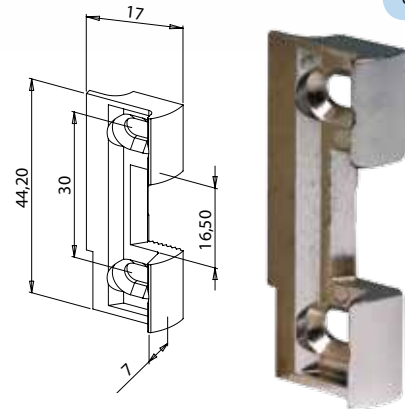
DIN LEFT

DIN RIGHT

SEF401DG 245 mm - 2 holes
Stainless steel

SEF401DD 245 mm - 2 holes
Stainless steel

LATCH FOR ELECTRIC STRIKES



SEL001 LATCH for 1 & 3 ROUREG

Caution :
SEF401DG/DD face plates require latch SEL001.

Caution :
SEF401DG/DD face plates are not compatible with ROUREG electric strikes with mechanical memory or microswitch (door status sensor).

Caution :
The SEL001 latch is only compatible with ROUREG electric strikes (20,5 mm width) except versions with mechanical memory or microswitch (door status sensor).